

6" AIR ORBITS SANDER(5mm)

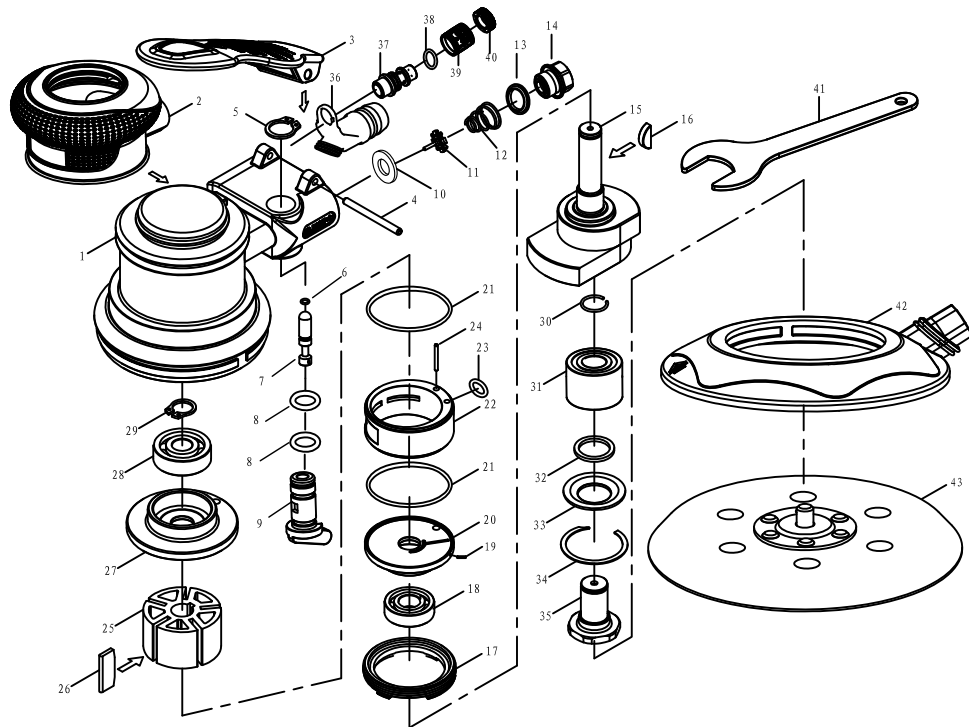
CENTRAL VACUUM

Specifications

Pad Size..... 6" (150mm)
 Free Speed..... 10, 500 ± 10%RPM
 Air Consumption..... 12. 5SCFM@90PSI
 Air Inlet..... 1/4"

Net Weight..... 0. 96KG
 Working pressure 90PSI
 Recommended hose size..... 3/8" (I. D)
 Air Exhaust..... Rear360° Exhaust

Parts List



Ref.	Part#	Description	Q'TY
1	WFS-1038A-01	housing	1
2	WFS-1138-01	jacket	1
3	WFS-3038-03	trigger	1
4	GB/T879. 2-2000 3*35	straight pin	1
5	GB/T894. 1-1986 12	snap ring	1
6	JB/T 6659-2007 4*1	O-ring	1
7	WFS-1138-03	pin	1
8	GB/T3452. 1-1992 9. 5*1. 8	O-ring	2
9	WFS-1038A-05	valve knob	1
10	WFS-1038A-06	switch valve ring	1
11	WFS-1038A-07	switch valve	1
12	WFS-1038A-08	spring	1
13	WFS-1038A-09	ejector bushing	1
14	WFS-1038A-10	air inlet connector	1
15	WFS-1038A-11	drive shaft	1
16	GB/T1099-1979 3*5*13	woodruff key	1
17	WFS-1038A-12	lock nut	1
18	JPN BZO 6001-2Z	bearing	1
19	GB/T879. 2-2000 2. 5*6	straight pin	1
20	WFS-1038A-13	front cylinder head	1
21	O Ring38*1. 5	O-ring	2

Ref.	Part#	Description	Q'TY
22	WFS-1038A-14	cylinder	1
23	WFS-1038A-15	O-ring	1
24	GB/T879. 2-2000 3*28	straight pin	1
25	WFS-3038-13	rotor	1
26	WFS-1038A-17	blade	5
27	WFS-1038A-18	back cylinder head	1
28	JPN BZO 6000-2Z	bearing	1
29	GB/T894. 1-1986 10	snap ring	1
30	GB/T895. 2-1986 12	E stopper	1
31	JPN IJK 5001 RS	bearing	1
32	WFS-1038A-19	sealing ring	1
33	WFS-1038A-20	V gasket	1
34	WFS-1038A-21	C retaining ring	1
35	WFS-1038A-22	balancing shaft	1
36	WFS-3138-01	vacuum adapter	1
37	WFS-3038-16	muffle connector	1
38	O Ring 13*2. 5	O-ring	1
39	WFS-3038-17	silencer knob	1
40	WFS-3038-18	muffle cover	1
41	WFS-1038A-26	wrench	1
42	WFS-1238-01	dust collecting hood	1
43	BQ13-01-07	6" PAD	1